

BASE DETAILS

IC0010 - LINER BASE AT FINISH FLOOR

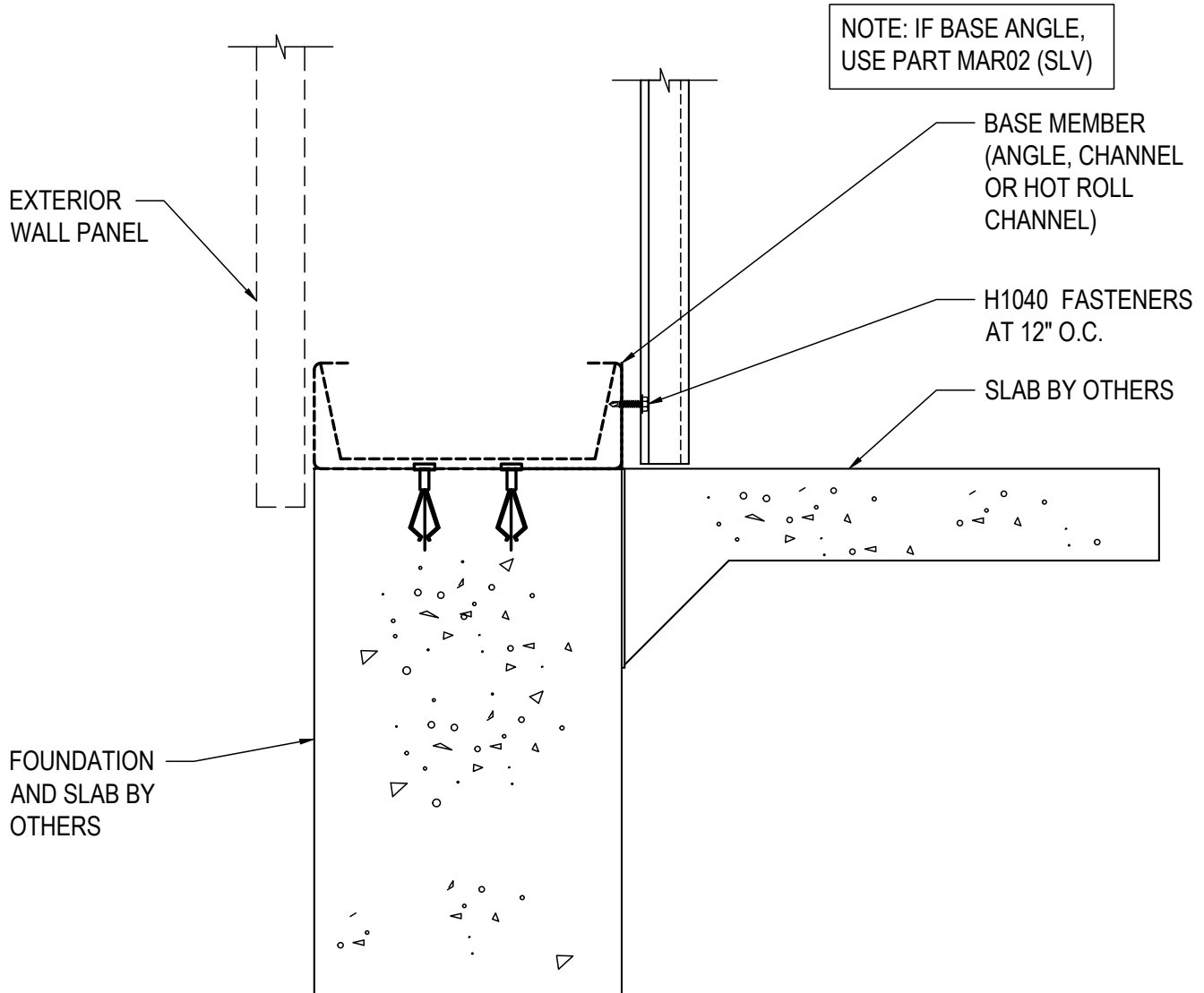
IC0020 - LINER BROOM SWEEP AT FINISH FLOOR

IC0030 - LINER BASE AT CURB WALL

IC0050 - LINER BASE AT CURB WALL WITH TRIM

IC0010 - LINER BASE AT FINISH FLOOR

[Download the DWG file by clicking here.](#)



LINER BASE AT FINISH FLOOR

FOR ALL STANDARD LINER PANEL TYPES

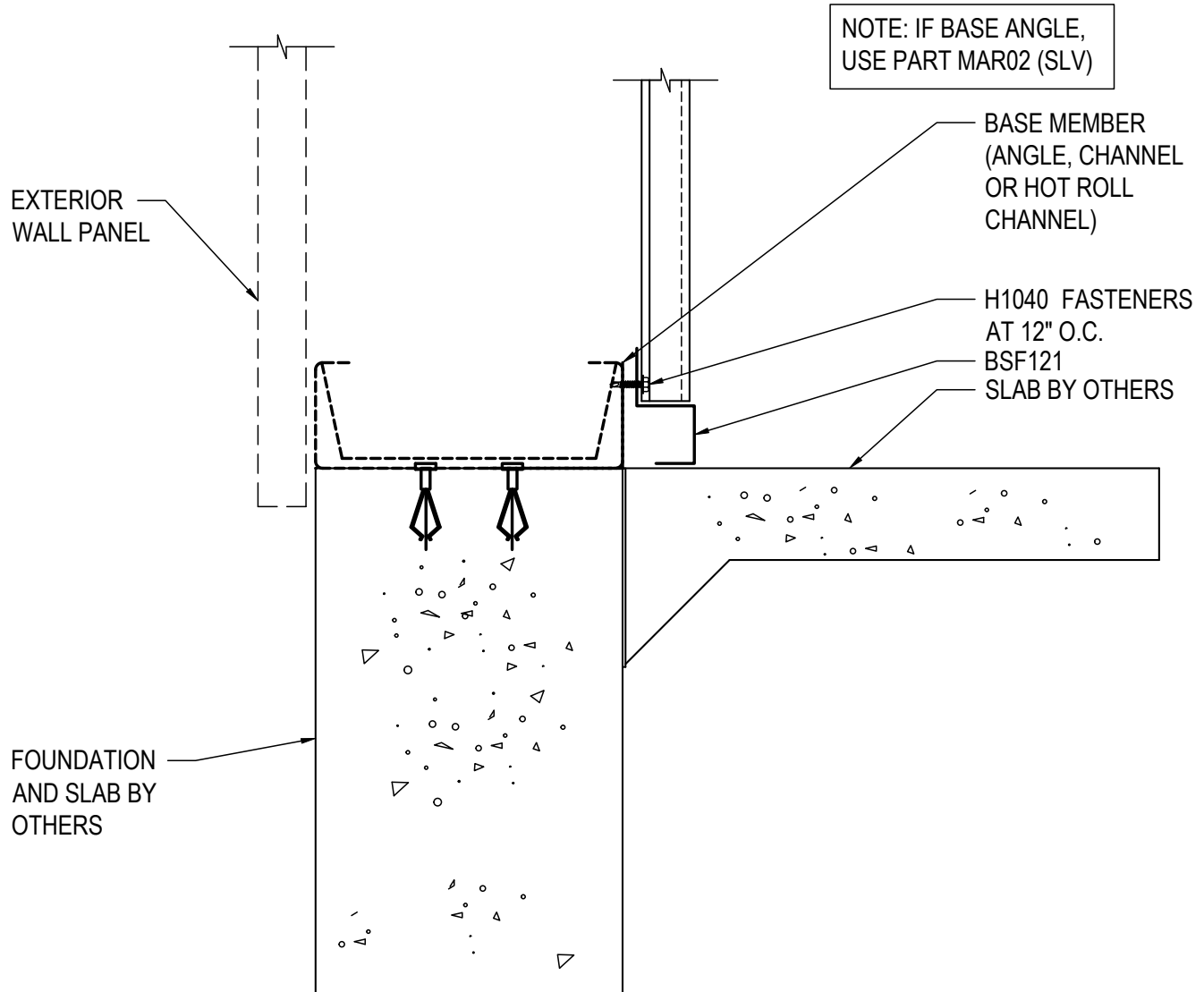
IC0010

Detailer Notes:

1)

IC0020 - LINER BROOM SWEEP AT FINISH FLOOR

[Download the DWG file by clicking here.](#)



LINER BASE AT FINISH FLOOR

FOR ALL STANDARD LINER PANEL TYPES

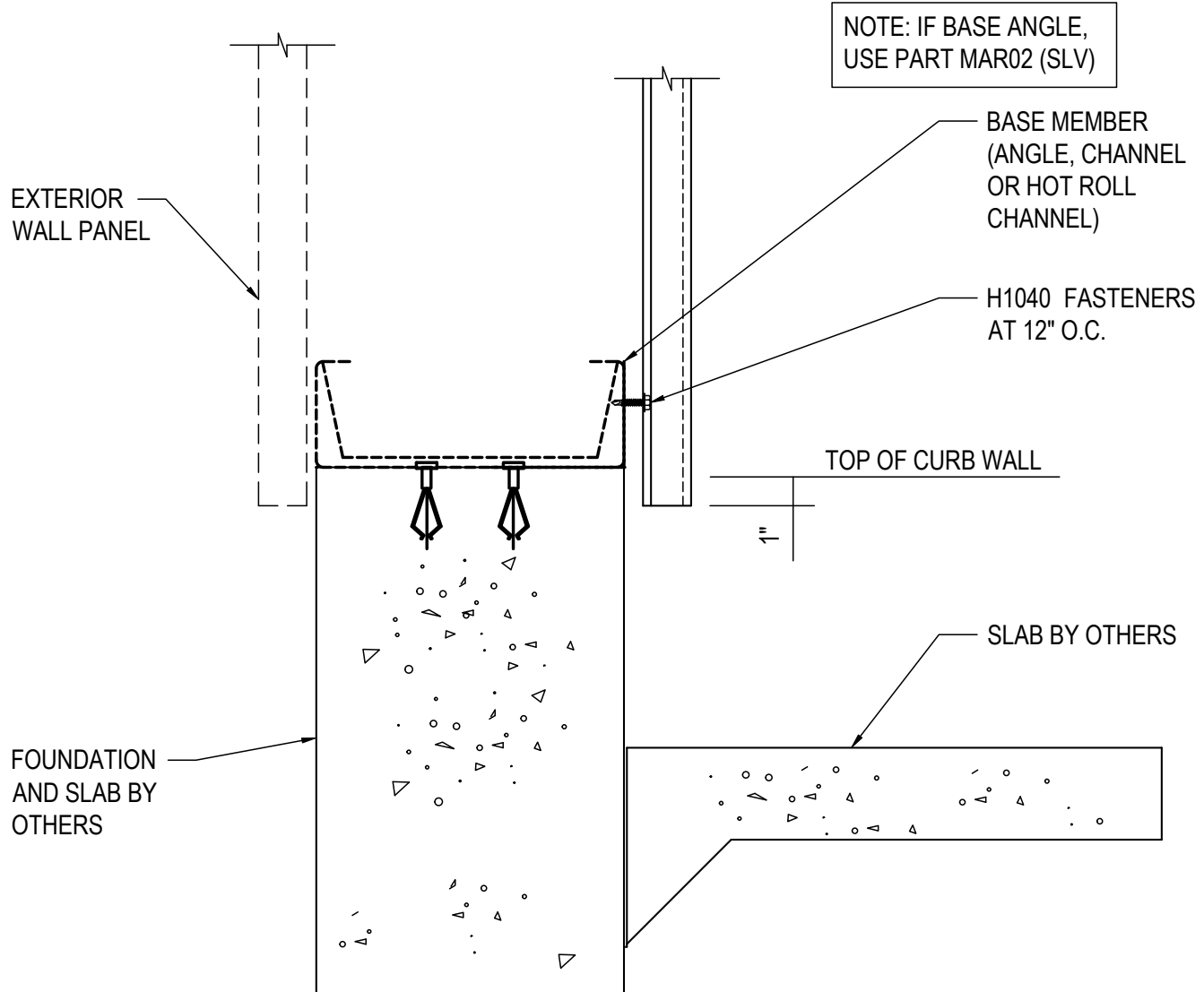
IC0020

Detailer Notes:

1)

IC0030 - LINER BASE AT CURB WALL

[Download the DWG file by clicking here.](#)



LINER BASE AT CURB WALL WITHOUT TRIM

FOR ALL STANDARD LINER PANEL TYPES

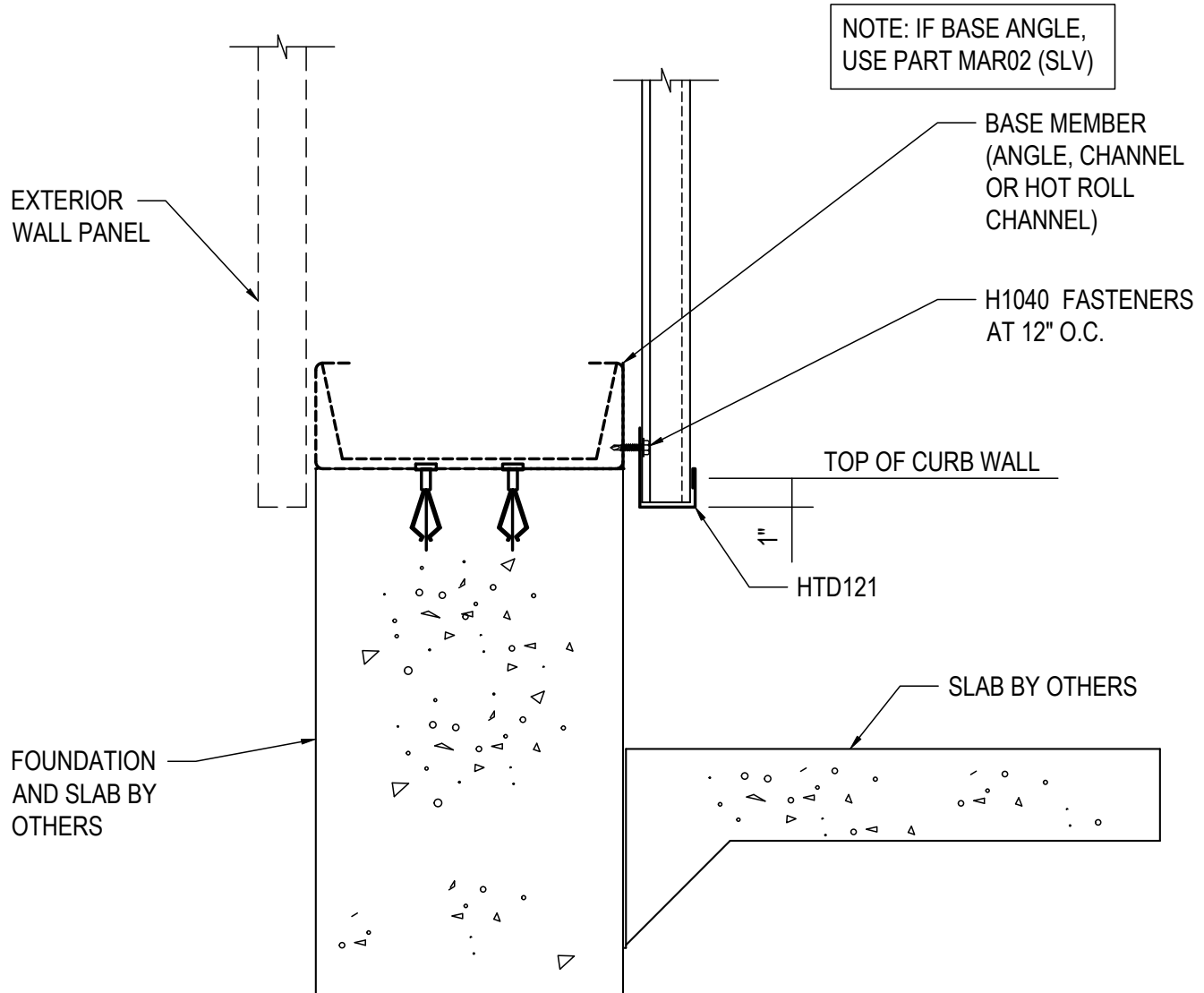
IC0030

Detailer Notes:

1)

IC0050 - LINER BASE AT CURB WALL WITH TRIM

[Download the DWG file by clicking here.](#)



LINER BASE AT CURB WALL WITH TRIM

FOR ALL STANDARD LINER PANEL TYPES

IC0050

Detailer Notes:

1)